

EVGC8-170A-AM (8V170Ah)

Specifications



Nominal Voltage		8 V
Capacity (25°C)	10HR	170 Ah
	2HR	130.5 Ah
Dimension	Length	260±2mm (10.24inch)
	Width	180±2mm (7.09inch)
	Height	253±2mm (9.96inch)
	Total Height	274±2mm (10.80inch)
Approx. Weight		32kg (70.54lbs)±4%
Terminal type		AT
Internal resistance (Fully charged, 25°C)		Approx. 3mΩ
Capacity affected by temperature (10HR)	40°C	102%
	25°C	100%
	0°C	85%
	-15°C	65%
Self-discharge (25°C)	3 month	Remaining Capacity: 91%
	6 month	Remaining Capacity: 82%
	12 month	Remaining Capacity: 65%
Nominal operating temperature		25°C±3°C(77°F±5°F)
Operating temperature range	Discharge	-15°C~50°C(5°F~122°F)
	Charge	-10°C~50°C(14°F~122°F)
	Storage	-20°C~50°C(-4°F~122°F)
Float charging voltage(25°C)		9.00 to 9.20V Temperature compensation: -18mV/°C
Cyclic charging voltage(25°C)		9.68 to 10.00V Temperature compensation: -30mV/°C
Maximum charging current		51A
Maximum discharge current		1700 A(5 sec.)
Designed floating life(20°C)		10 years

Construction

Component	Positive plate	Negative plate	Container	Cover	Separator	Electrolyte	Safety valve	Terminal
Raw material	Lead dioxide	Lead	ABS	ABS	AGM	Sulfuric acid	Rubber	Copper

Constant Current Discharge Characteristics (A, 25°C)

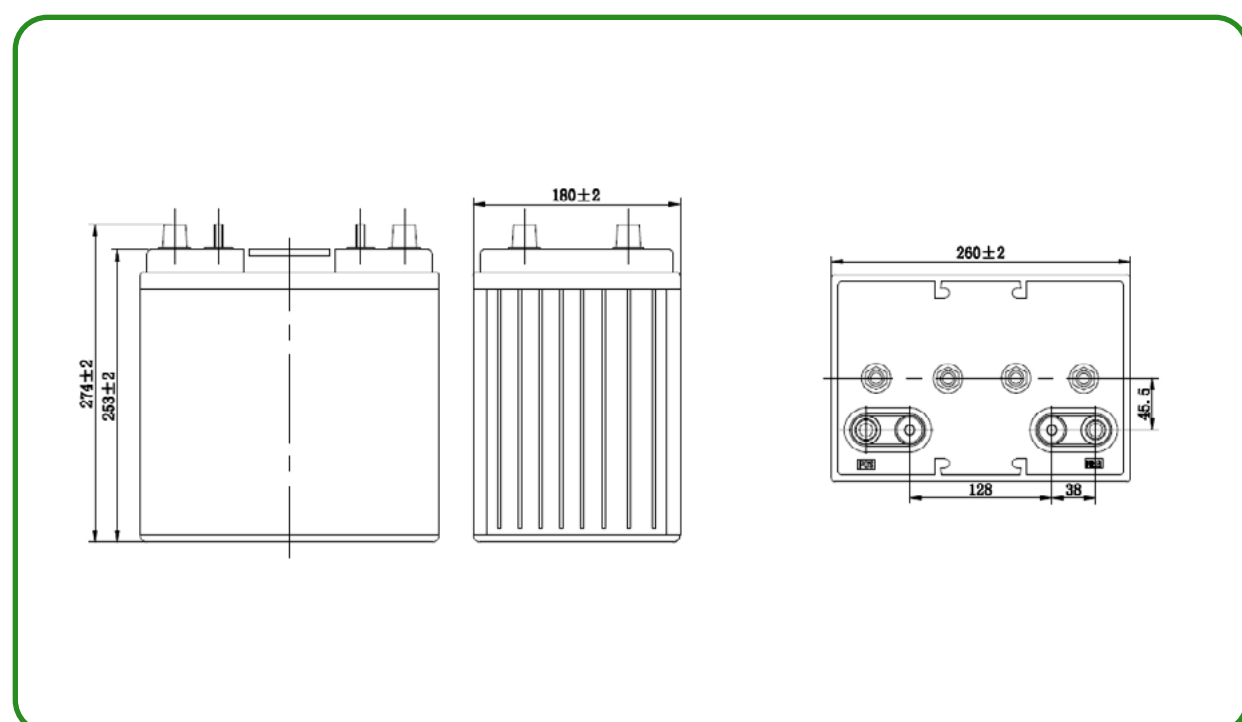
F.V/TIME	10min	15min	30min	60min	2h	3h	4h	5h	8h	10h	20h
6.40V	370	282	168	104	61.6	43.7	35.5	30.2	20.6	17.10	9.06
6.60V	356	276	166	102	60.9	43.5	35.0	29.9	20.5	17.07	9.04
6.80V	343	266	161	100	60.4	43.0	34.8	29.7	20.4	17.02	9.02
7.00V	328	256	156	97.8	59.4	42.8	34.6	29.5	20.3	16.97	8.97
7.20V	310	243	150	94.7	58.3	41.6	33.6	28.8	19.7	16.92	8.92

Constant Power Discharge Characteristics (Watt, 25°C)

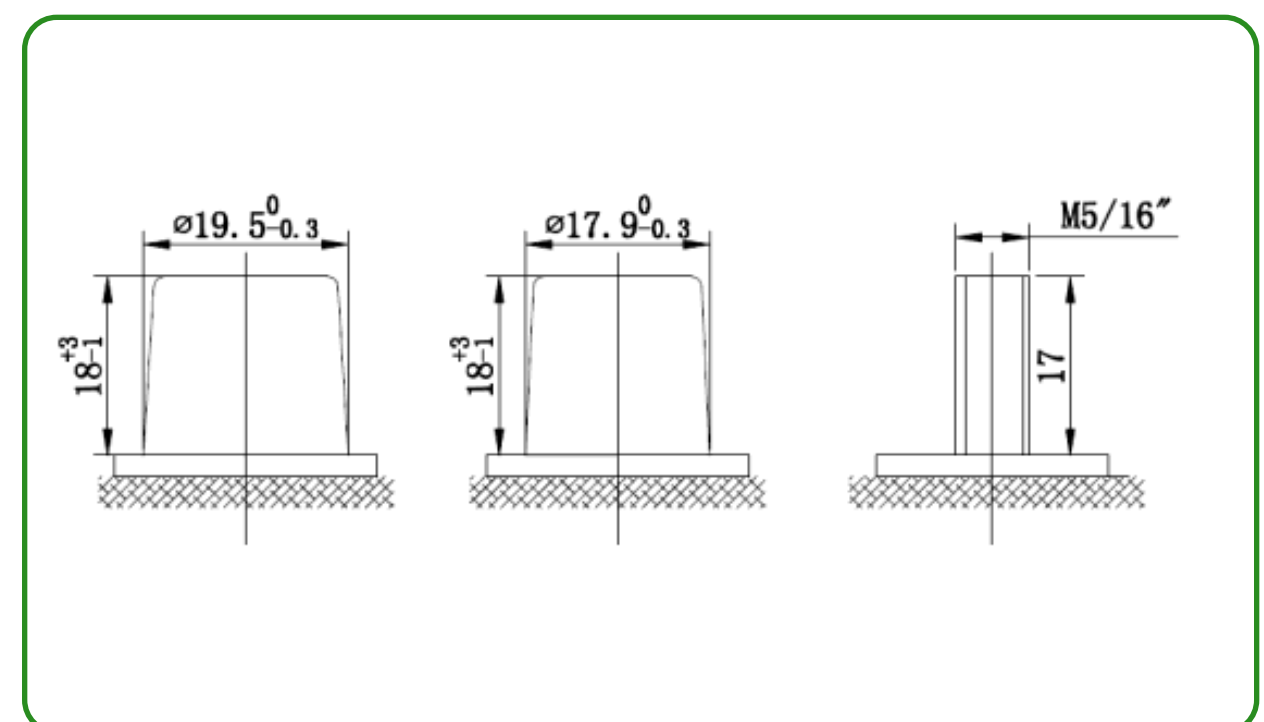
F.V/TIME	10min	15min	30min	60min	2h	3h	4h	5h	8h	10h	20h
6.40V	2634	2064	1262	789	474	342	277	239	164	135.9	72.4
6.60V	2555	2014	1262	777	470	341	276	235	163	135.8	72.3
6.80V	2451	1940	1199	757	467	338	274	234	162	135.4	72.1
7.00V	2345	1875	1171	740	460	336	271	232	161	134.7	71.6
7.20V	2215	1775	1129	738	447	328	264	226	157	133.6	71.1

Note: The above characteristics data can be obtained within three charge/discharge cycles.

Dimensions

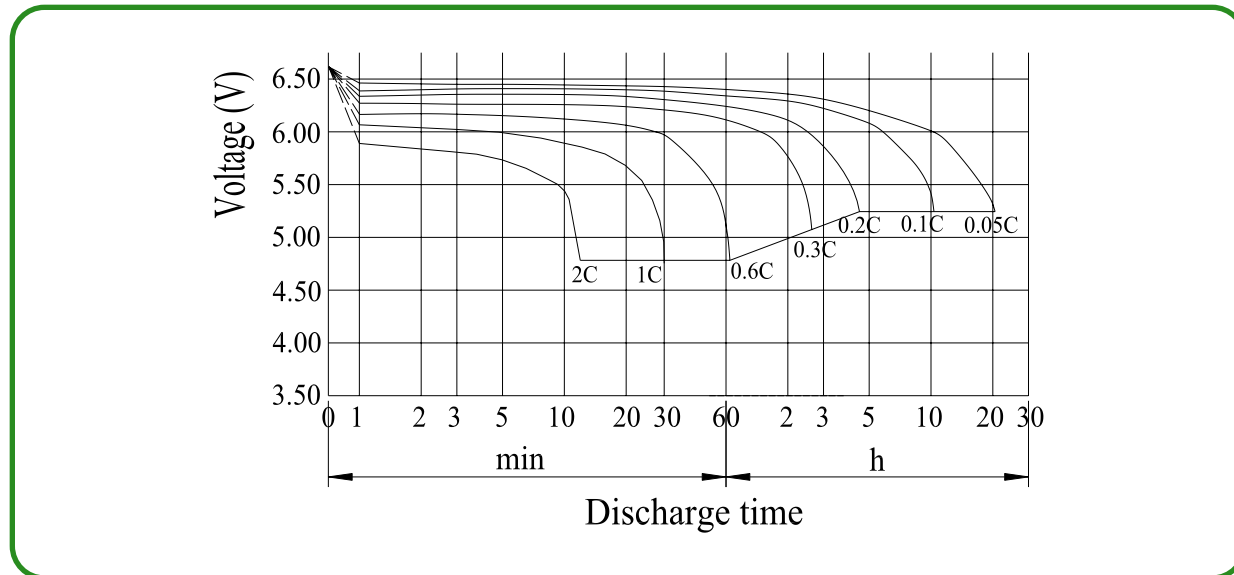


Terminal

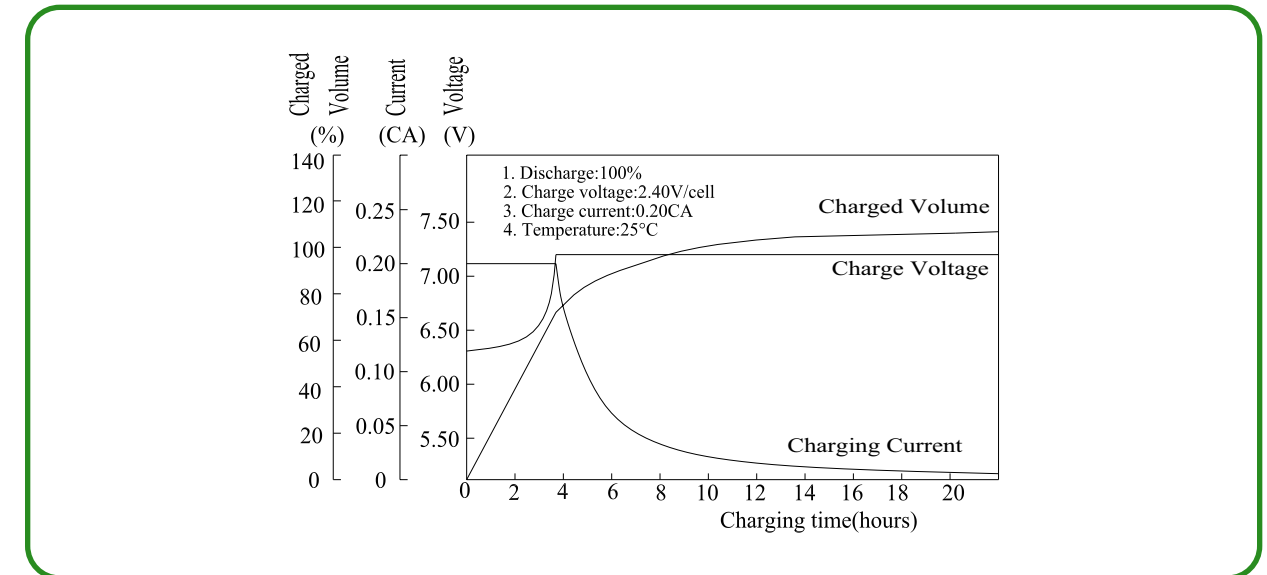


Performance Characteristics

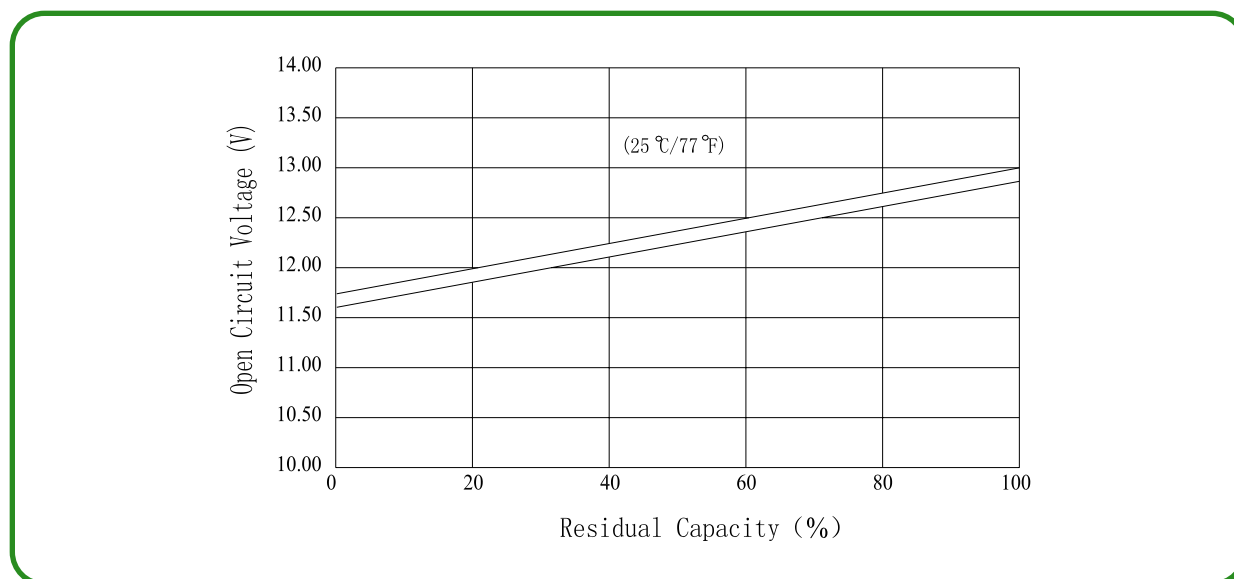
Discharge Characteristics (25°C)



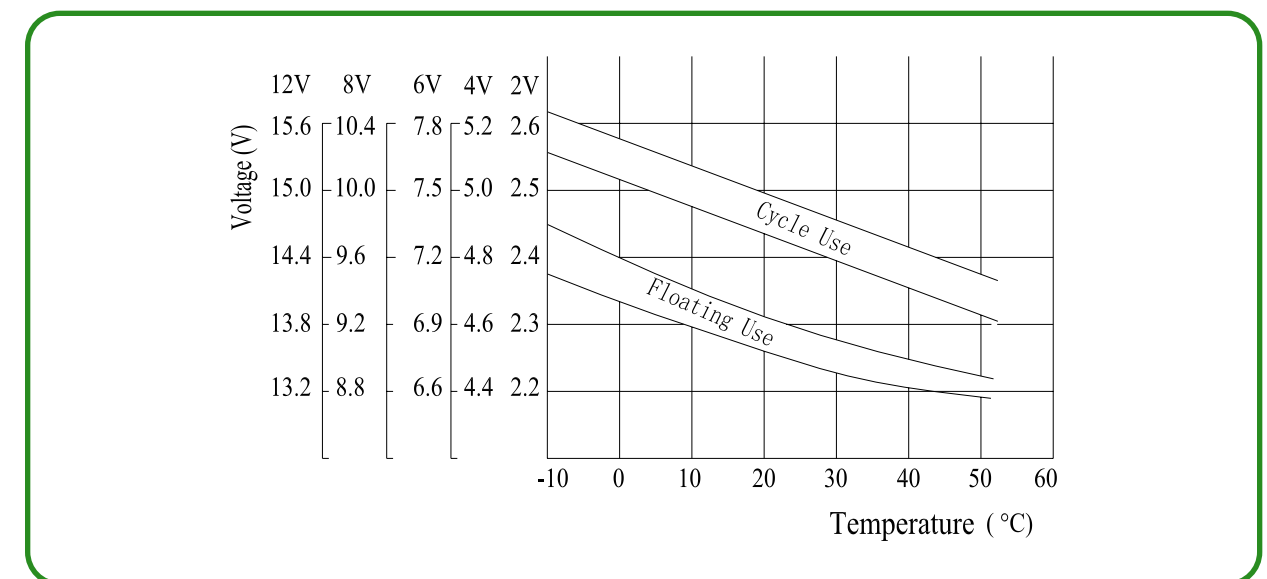
Charging Characteristics (25°C)



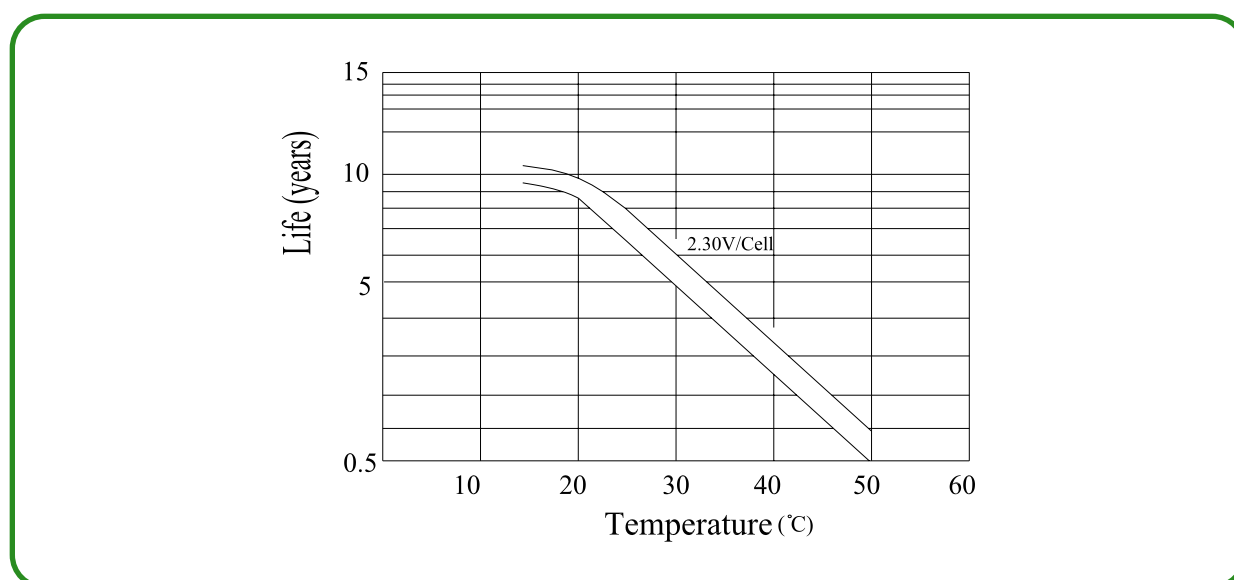
The Relationship for Open Circuit Voltage and Residual Capacity (25°C)



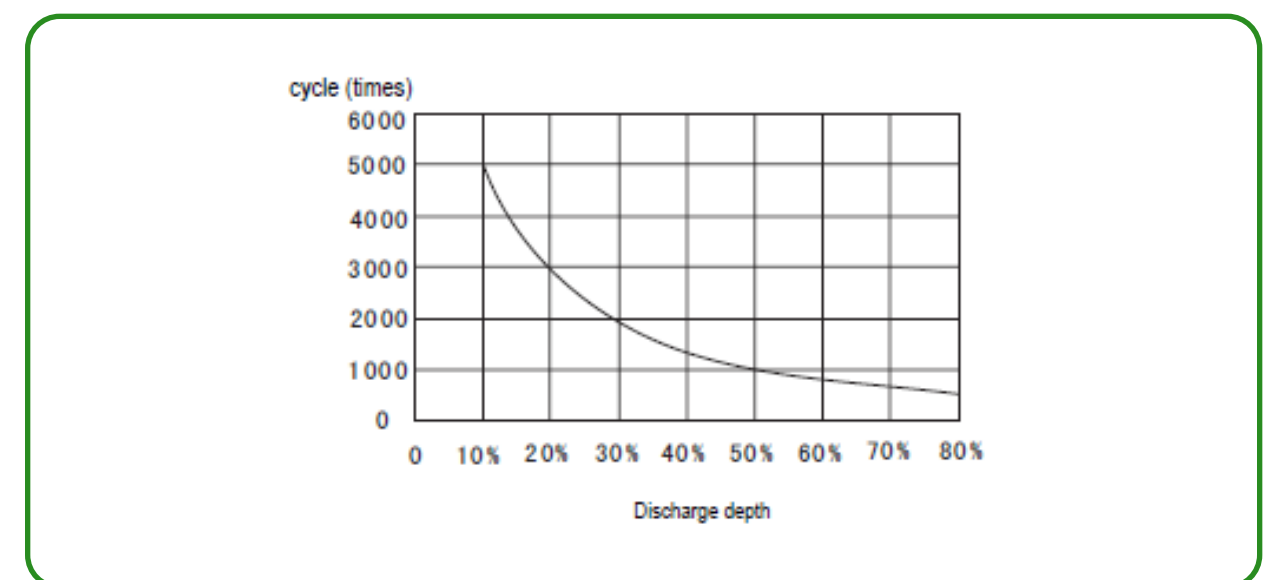
The Relationship for Charging Voltage and Temperature



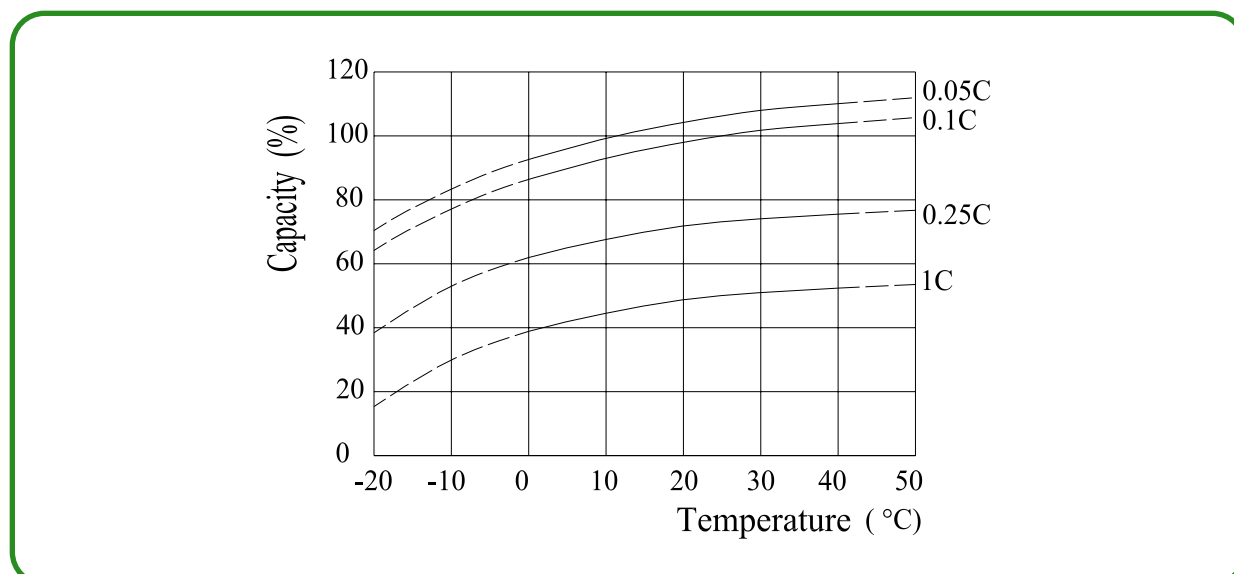
Floating Life on Temperature



Cycle Life on D.O.D (25°C)



Effect of Temperature on Capacity



Self-discharge Characteristics

